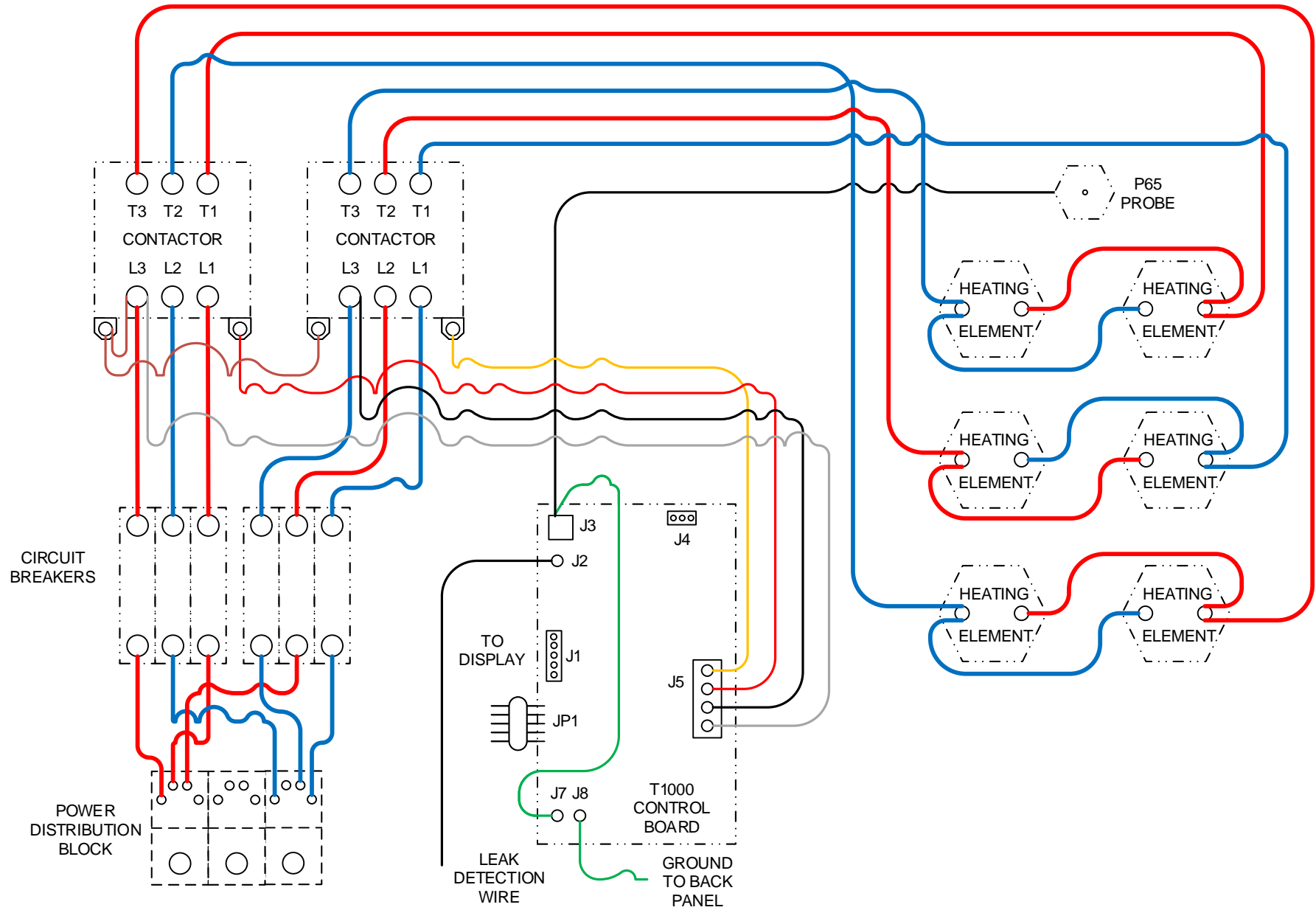


# J16 WIRING DIAGRAM 6A



REV-A